



# RVM1600 SONAR



INSHORE AND OFFSHORE FISHING

**NEW**

The RVM1600 with RealVision MAX technology takes Raymarine multi-channel CHIRP sonar performance to a new level. The next generation of DownVision, SideVision, 3D, and conventional CHIRP sonar, RealVision MAX delivers vivid sonar imagery and fish targets like never before. RealVision MAX starts with all-new high-performance RealVision CHIRP transducers, upgraded with larger elements and increased power output for extended-range performance. Next, RealVision MAX CHIRP signal processing and faster ping rates improve visual fidelity and target identification. With RealVision MAX, structure is more recognizable, and the most elusive fish are easily identifiable with high-contrast RealVision MAX sonar colour palettes.

## Multi-Channel Sonar

The RVM1600 is equipped with both a 1 kW dual-channel CHIRP sonar plus RealVision MAX sonar channels, including High CHIRP, SideVision, DownVision, and 3D channel.

## Maximum Clarity

RealVision MAX CHIRP sonar processing, combined with faster ping rates, delivers superior sonar imagery in CHIRP, Side, Down, and RealVision sonar channels.

## Maximum Fish

New RealVision MAX high contrast colour palettes and fish targeting enhancements help you positively identify fish and bait.

## Maximum Range

More powerful RealVision MAX CHIRP transducers with a 600-watt conical High CHIRP element and upgraded Side and DownVision elements deliver better fishfinding on longer-range scales.

## CHIRP DownVision

CHIRP DownVision® delivers a photo-like view of the world beneath your boat. See bottom structures and fish targets with amazing detail.

## CHIRP SideVision

CHIRP SideVision® sonar expands your underwater horizon with bank-to-bank displays of fish, bait, and underwater structures. See further and see more fish than traditional side scanning sonars.

## Conventional CHIRP

RealVision Max transducers feature a 600-watt high-frequency conical CHIRP element for coastal fishing. A separate 1kW dual-channel CHIRP sonar for offshore fishing with a wide range of transom, in-hull and through-hull options.

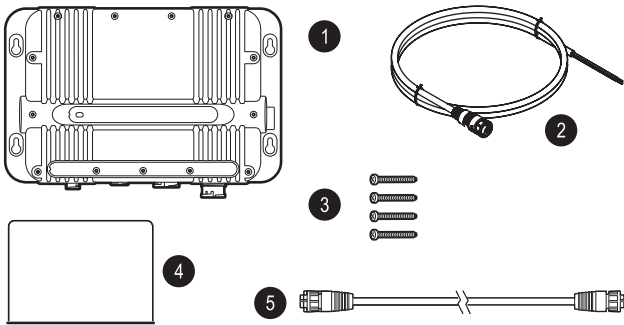
## 3D Sonar

RealVision MAX 3D sonar lets anglers see sonar data in a life-like 3D perspective view. Use 3D sonar to pinpoint that elusive wreck or setup the perfect drift.

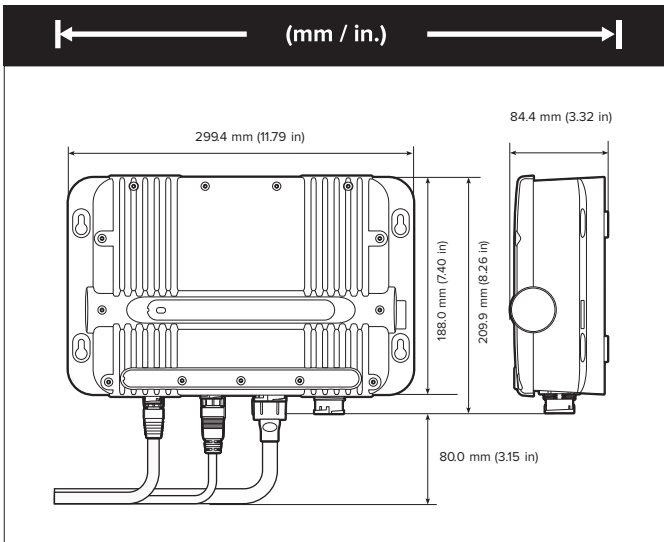
# RVM1600 SONAR



## RVM1600: IN THE BOX



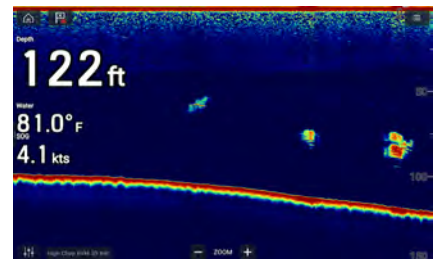
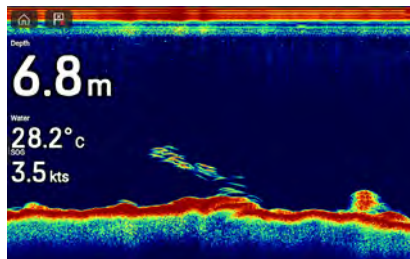
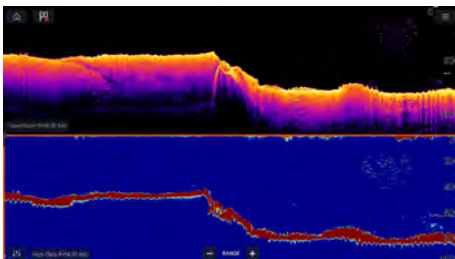
1. RVM1600 Sonar module
2. 1.5m power cable
3. Fixing screws
4. Documentation pack
5. RayNet Network Cable, 2m



RVM-400  
Through-Hull Transducer



RVM-100  
Transom-Mount Transducer



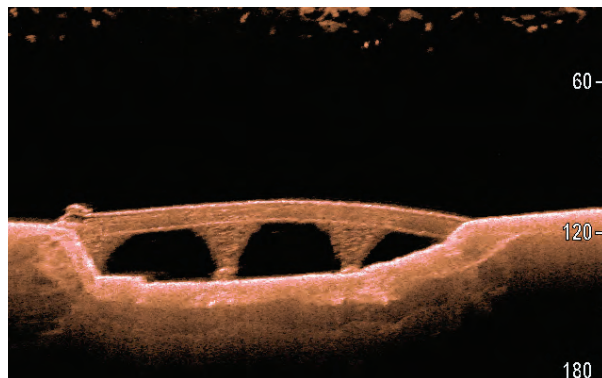
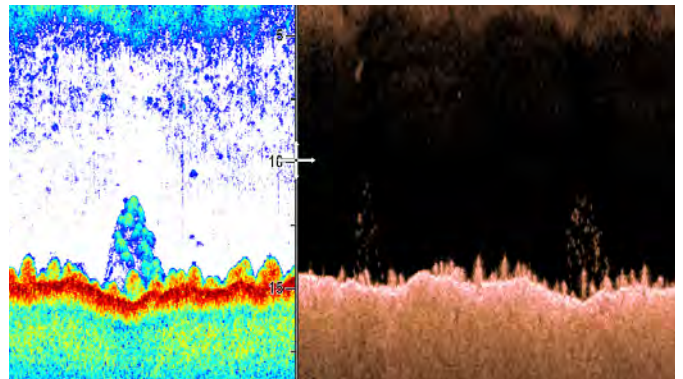
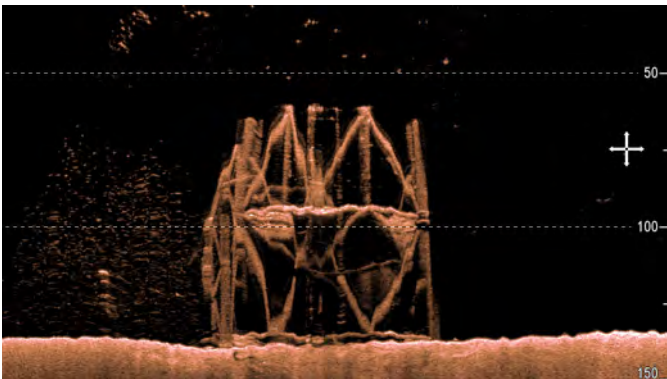
# CP100 SONAR



FRESHWATER AND COASTAL FISHING

## CP100 DownVision Sonar Module

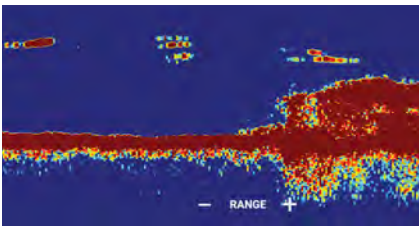
The CP100 network sonar module brings CHIRP DownVision technology to Raymarine's chartplotters displays. CP100's CHIRP DownVision delivers a photo like view of the world beneath your boat, allowing you to image bottom structure with amazing detail and target fish simultaneously.



## CP370 SONAR



OFFSHORE AND COASTAL FISHING



The CP370 delivers exceptional clarity, sharper fish targets, and automatic operation using Raymarine's next-generation ClearPulse™ digital sonar processing. The CP370 boasts up to 1,000 watts of power and operates at 200kHz for inshore and 50kHz for offshore fishing. ClearPulse™ signal processing intelligently manages the CP370 sonar parameters in all conditions so anglers can spend more time fishing and less time adjusting the sonar.

### CP370 MFD Compatibility

aSeries | cSeries | eSeries | eS Series | gS Series | C-Widescreen | G-Series- Classic | E-Classic | E-Widescreen | Axiom | Axiom+ | Axiom Pro | Axiom XL

**Nautical Supplies are an Authorised Service Dealer for Raymarine**



[www.nauticalsupplies.com.au](http://www.nauticalsupplies.com.au)

#### Nautical Supplies Darwin:

80 Frances Bay Road, Darwin, NT  
PO Box 37671, Winnellie, NT 0821

**T:** 08 8981 6651 | **F:** 08 8941 0251

**E:** [Sales@nauticalsupplies.com.au](mailto:Sales@nauticalsupplies.com.au)

#### Nautical Supplies Cairns:

16 Liberty Street,  
Portsmouth, QLD, 4870

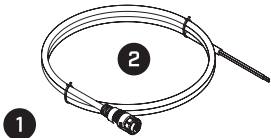
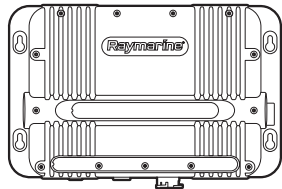
**T:** 07 4050 0090

**E:** [CairnsSales@nauticalsupplies.com.au](mailto:CairnsSales@nauticalsupplies.com.au)

# CP470 & CP570 SONAR

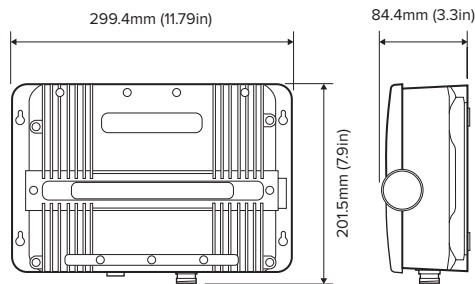


## CP470 / CP570: IN THE BOX



1. Sonar module
2. 1.5 m (5 ft) power cable
3. No.8 fixing screws
4. Documentation pack
5. 2 m (6.56 ft) RayNet (Female) to RayNet (Female) network cable

← (mm / in.) →



**Nautical Supplies are an Authorised Service Dealer for Raymarine**



[www.nauticalsupplies.com.au](http://www.nauticalsupplies.com.au)

**Nautical Supplies Darwin:**

80 Frances Bay Road, Darwin, NT

PO Box 37671, Winnellie, NT 0821

**T:** 08 8981 6651 | **F:** 08 8941 0251

**E:** [Sales@nauticalsupplies.com.au](mailto:Sales@nauticalsupplies.com.au)

**Nautical Supplies Cairns:**

16 Liberty Street,

Portsmouth, QLD, 4870

**T:** 07 4050 0090

**E:** [CairnsSales@nauticalsupplies.com.au](mailto:CairnsSales@nauticalsupplies.com.au)