

# AUTOPILOTS



SAILING



CRUISING



FISHING

The culmination of Raymarine's autopilot expertise and advanced aerospace guidance technology, Evolution Autopilots, delivers a new level of precision steering control. Each Evolution Autopilot system consists of the following components: an Evolution 9-axis sensor core, an actuator control unit (ACU), a drive mechanism, and a control head.

## EV-200 INBOARD

The EV200 system pack controls vessels with any Type 1 drive unit (Hydraulic, Linear, Sail or Power).



EV-1

ACU-200

p70Rs

p70s



Type 1 Linear Drive



Type 1 Rotary Drive



Type 1 Hydraulic Pump

## EV-400 INBOARD

The EV400 pack controls vessels with any Type 1 to Type 3 mechanical or hydraulic drive units.



EV-1

ACU-400

p70Rs

p70s



Type 1/2 Linear Drive



Type 1/2 Rotary Drive



Type 1/2/3 Hydraulic Pump



EV-2

p70Rs

## EV-200 DRIVE-BY-WIRE INBOARD

EV-2 has been designed for the latest drive-by-wire steering systems and connects directly to Raymarine's SeaTalk<sup>NG</sup> bus.

Includes: Volvo; Teleflex Optimus; Xenta; Yamaha and more.



EV-1

ACU-300

p70Rs

## EV-300 SOLENOID INBOARD

The EV300 system is for use with electric solenoids that control the vessels hydraulic steering system.

# AUTOPILOTS

INBOARD AUTOPILOTS							
Drive Units	RAM Capacity cc / cu in (Hydraulic)	Vessel Displacement kg / lbs	Autopilot Control Unit				
			EV-100	EV150	EV-200	EV-300	EV-400
Type 0.5L Hydraulic Pump	50–125 / 3–7.6	NA	●	●			
Type 1 Hydraulic Pump	80–230 / 4.9–14	NA		●	●		
Type 1 Mechanical Rotary / Linear Drives		11,000 / 24,000			●		
Type 1 Universal Stern Drives		NA			●		
Type 2 Hydraulic Pump	230–350 / 14–21	NA					●
Type 3 Hydraulic Pump	350–500 / 21–30.5	NA					●
Type 2 Hydraulic Linear		22,000 / 48,000					●
Type 3 Hydraulic Linear		35,000 / 77,000					●
Type 2 Short Mechanical Linear Drives		15,000 / 33,000					●
Type 2 Long Mechanical Linear Drives		20,000 / 44,000					●
Type 2 Mechanical Rotary Drives		20,000 / 44,000					●
Solenoid Drive Units		NA				●	
ZF Saildrive Systems		NA					●



### EV-100 WHEEL

The EV-100 wheel pilot comprises a fully enclosed wheel-drive for simple installation and superb autopilot performance.



### EV-100 TILLER

The Raymarine EV-100 Tiller Pilots are perfect for large tiller steered yachts up to 6,000kg (13,200 lbs) displacement.



### EV-100/EV-150 POWER PILOT

For single outboard powered boats with hydraulic steering, the EV-100 and EV-150 deliver perfect steering using Raymarine's exclusive Hydro-Balance™ technology.

COCKPIT AUTOPILOTS						
Cockpit Pilot Description	Maximum Displacement	Vessel Type	Pack Contents			
			EV	ACU	Control Head	Drive
EV-100 Wheel	7,500kg (16,000lbs)	Sail	EV-1	ACU-100	p70s	Wheel Drive
EV-100 Tiller	6,000kg (13,200lbs)	Sail	EV-1	ACU-100	p70s	Tiller Drive

Remember to always take the fully laden displacement weight of your vessel into account (often 20% above the designed displacement).

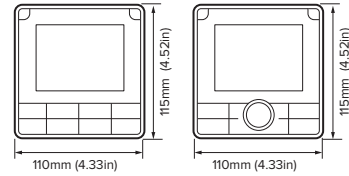
# AUTOPILOTS



## P70RS/P70S

1. Documentation
2. Panel seal gasket
3. 400 mm (15.7 in) SeaTalkng spur cable (A06038)
4. p70s or p70Rs Pilot controller
5. Suncover
6. Spare gunmetal bezel (A80354)
7. Mounting fixings x 4

(mm / in.)



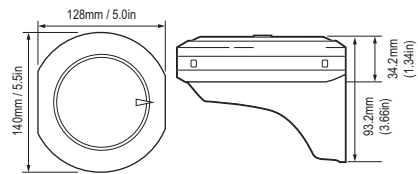
**p70s / p70Rs**



## EV1/EV2

1. Mounting trim
2. EV-1E/V-2
3. Sealing ring
4. Mounting tray
5. Sealing ring
6. Wall mounting bracket
7. Screws for deck or bracket mounting
8. Screws for wall bracket
9. Document pack
10. 10 m(3.3ft) SeaTalk<sup>ng</sup> spur cable

(mm / in.)



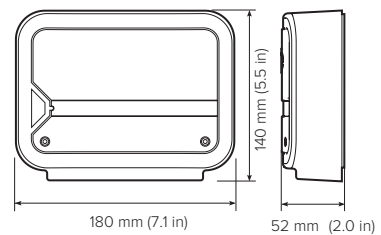
**EV-1 / EV-2**



## ACU-100/ACU-150

1. ACU unit
2. Documentation pack
3. Screws (pan head type)
4. SeaTalk<sup>ng</sup> spur to bare wires cable 1 m (3.3 ft)

(mm / in.)



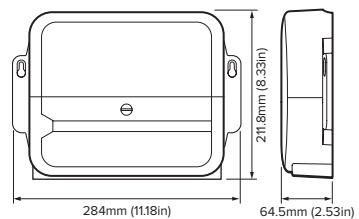
**ACU-100/ACU-150**



## ACU-200 / 300 / 400

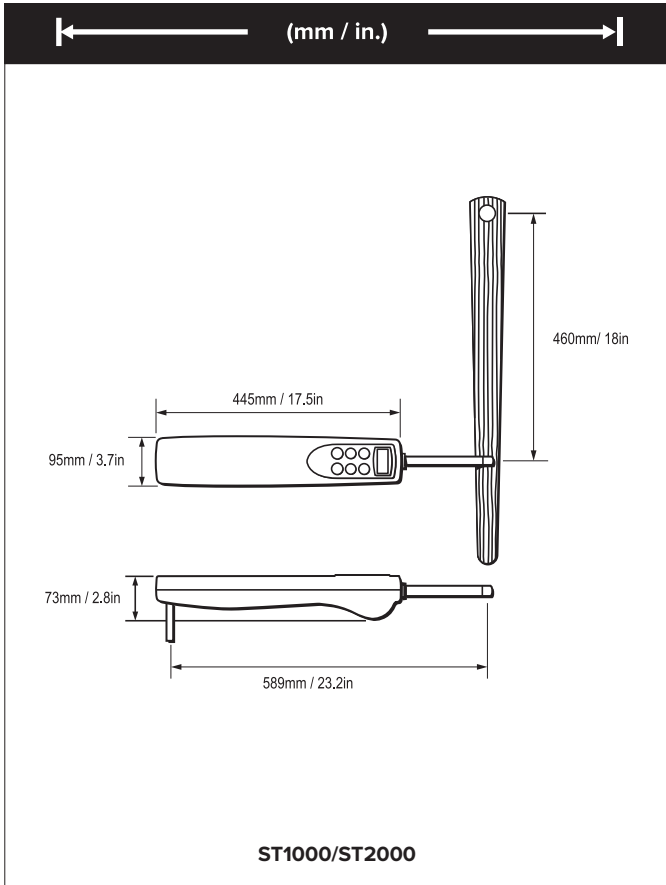
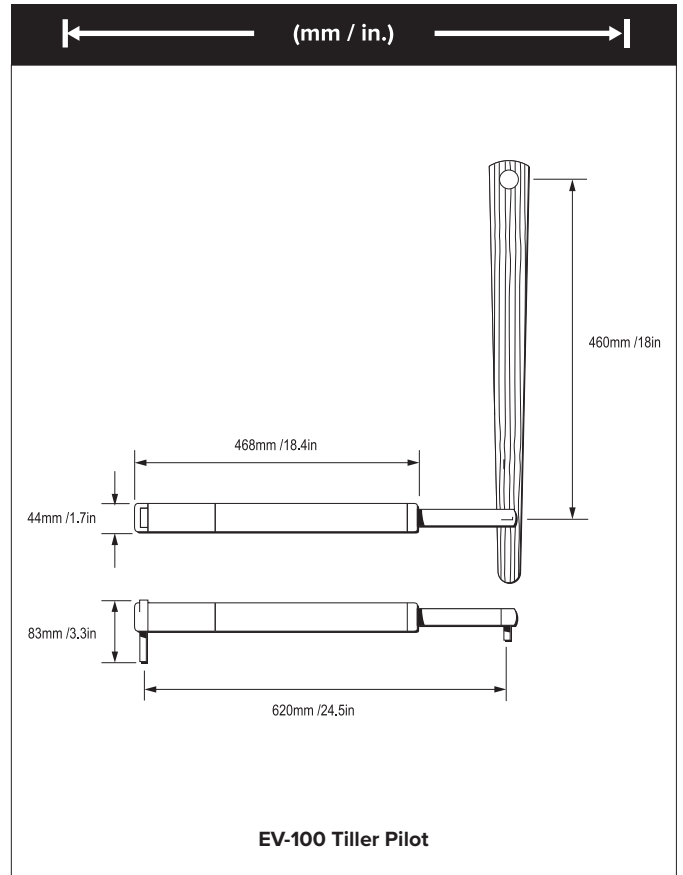
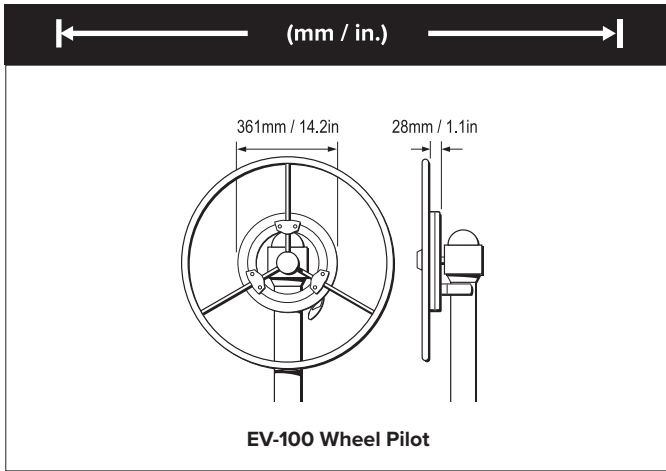
1. ACU unit
2. Rudder angle reference sensor / transducer. Not supplied with all system packs. Also available separately as M81105
3. Cable ties
4. Mounting screws
5. Document pack

(mm / in.)



**ACU-200/300/400**

# AUTOPILOTS



**Nautical Supplies are an Authorised Service Dealer for Raymarine**



[www.nauticalsupplies.com.au](http://www.nauticalsupplies.com.au)

**Nautical Supplies Darwin:**  
 80 Frances Bay Road, Darwin, NT  
 PO Box 37671, Winnellie, NT 0821  
**T:** 08 8981 6651 | **F:** 08 8941 0251  
**E:** Sales@nauticalsupplies.com.au

**Nautical Supplies Cairns:**  
 16 Liberty Street,  
 Portsmith, QLD, 4870  
**T:** 07 4050 0090  
**E:** CairnsSales@nauticalsupplies.com.au