



Save \$300

RRP \$715 inc
Now \$415 inc



Great Xmas Gift Idea

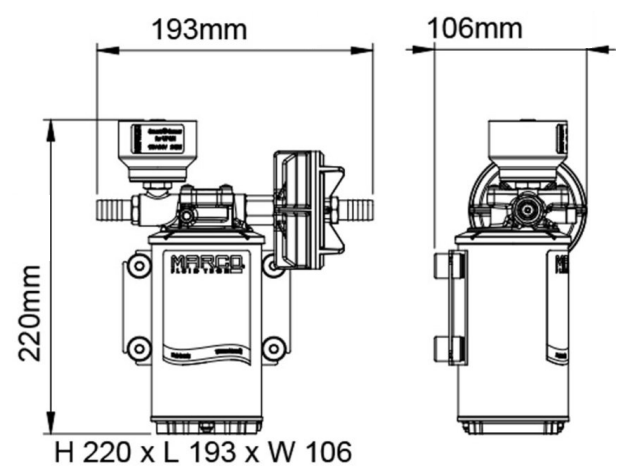


DP9/E Deck Washing Pump + Electronic control



High Quality European Manufacture
Dual voltage pump (12/24V) complete kits with self-priming electro-pump with electronic control.
Equipped with helical gears in PEEK, in-line filter, nickel-plated brass body and non-return valve.

Convenient included hose and spray gun
Includes 15m extendable hose and spray gun with snap connection, jet lock, check valve and trigger with flow regulation.



NS Code	Supplier Part No.	Flow rate (max)	Pressure (max)	Voltage	Self Prime (m)	Cons.	Motor	Fuse	Tube	Ports	Weight
A70564	16482115	12L/min, 3.2gpm	4.5bar, 65.3psi	12/24	1.5	12A	180W	15A	13mm	3/8"BSPP	4.7Kg



Nautical Supplies Darwin:
80 Frances Bay Road, Darwin, NT
PO Box 37671, Winnellie, NT 0821
T: 08 8981 6651 | F: 08 8941 0251
E: Sales@nauticalsupplies.com.au

Nautical Supplies Cairns:
12-16 Liberty Street,
Portsmouth, QLD, 4870
T: 07 4050 0090
E: CairnsSales@nauticalsupplies.com.au