



AP56

AUTOPILOT

TMQ'S VERSATILE AUTOPILOT WITH MULTIPLE MODES

AP56 is easy to operate, and designed with a number of configurations to suit most vessels. Use the master control unit to connect multiple head units, integrate with a GPS/GPS Plotter to provide waypoint steering.





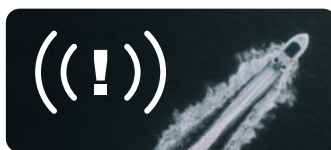
Developed with ease of operation in mind

The TMQ AP56 Autopilot is undoubtedly the first choice for the discerning mariner. Designed specifically to meet the stringent technological demands of the modern marine industry.

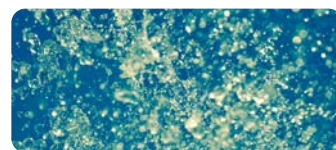
FEATURES



Large display with simple operation



Off-course alarm



Splash proof display



NEW Slimline casing, great for limited space.



NEW Toughened glass



Option for remote display units

STANDARD INCLUSIONS



AP56 Control unit



MCU/CDRIVE



Electronic compass (5m Cable)



Rudder Feedback Unit RFUSC (14m Cable)

DISPLAY MODES

Manual Mode

The autopilot display unit shows the current magnetic heading. The vessel is under manual steering control and does not apply automatic steering control.

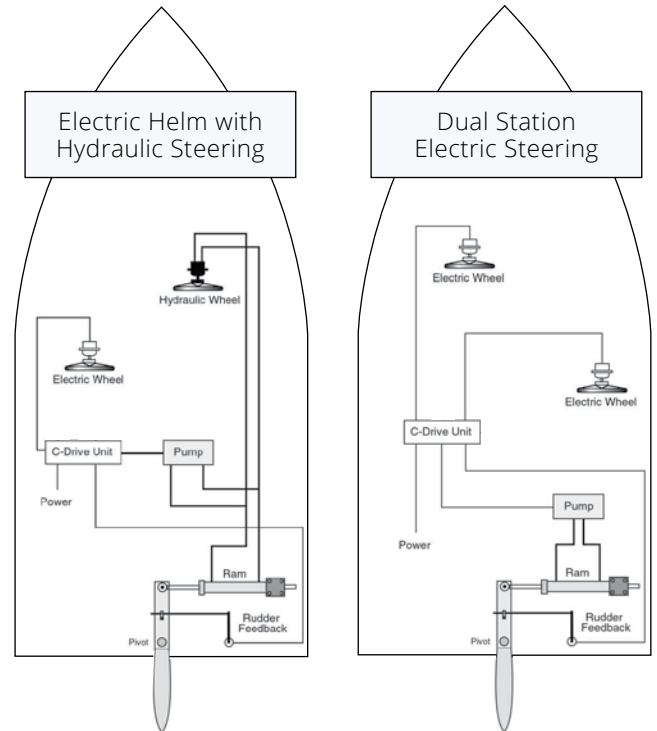
Auto Mode

The autopilot will maintain your vessel on any desired magnetic course. This course can be set from the display unit.

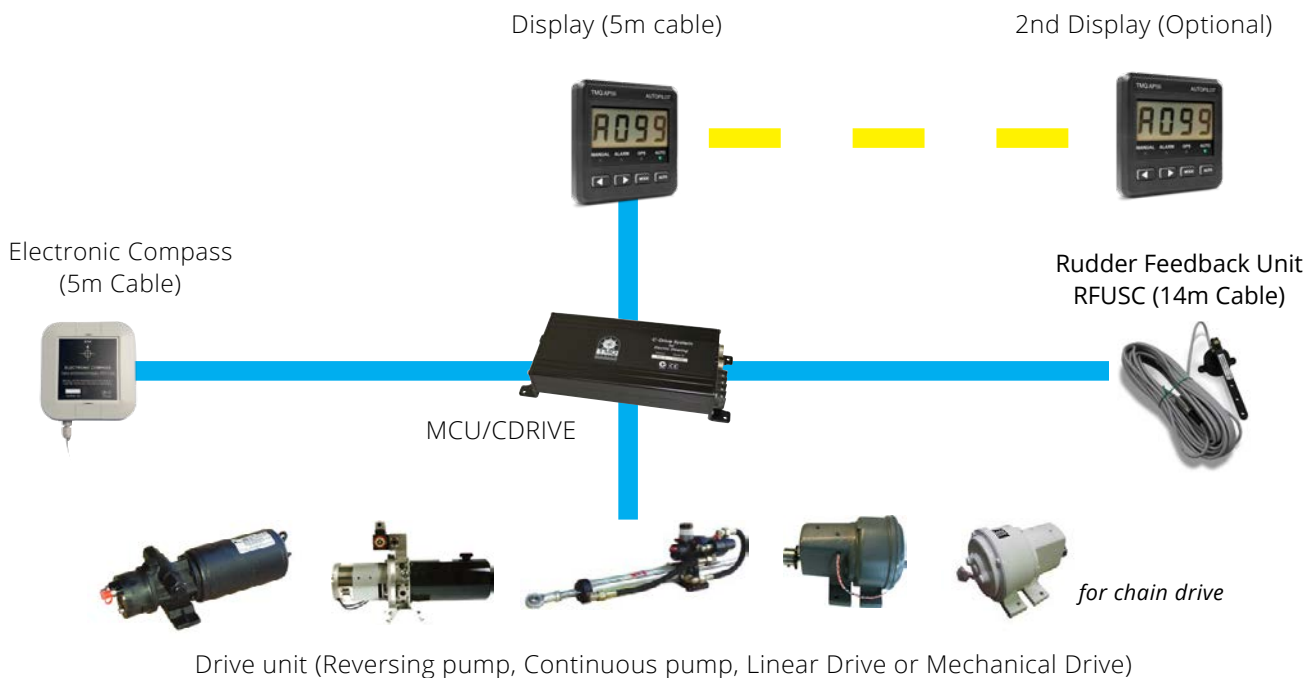
GPS Mode

When receiving information from a GPS the autopilot can steer a vessel to a precise latitude and longitude, through any number of desired course changes.

STATION OPTIONS



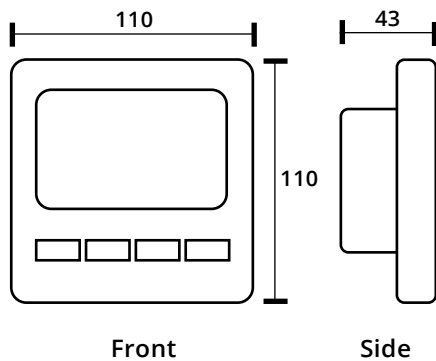
CONNECTION DIAGRAM



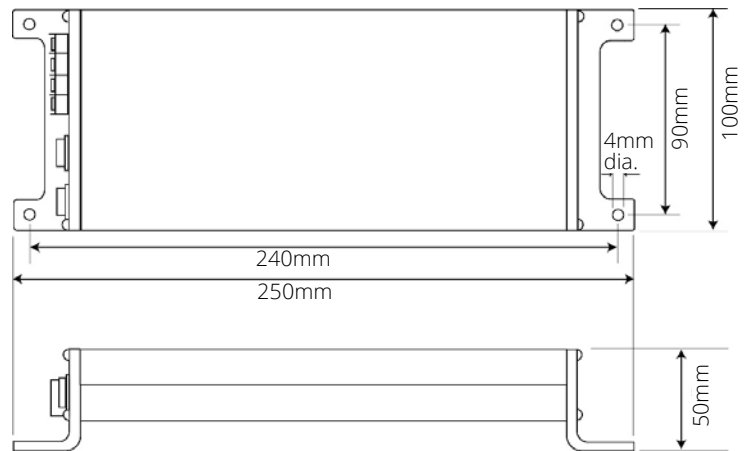
ACCESSORIES



DIMENSIONS



Display Dimensions (in mm)



CDRIVE Dimensions (in mm)

SPECIFICATIONS

VOLTAGE:	12/24 VDC	RUDDER RATIO:	0.1:1.0 to 1.0:1.0
DISPLAY CURRENT:	~0.5 Amps	RUDDER LIMITS:	Adjustable
CONTROLS:	4 Push Buttons	OFF COURSE ALARM:	45 degrees (Adjustable via PC)
DISPLAY:	Transflective LCD	NAV. SIGNAL:	NMEA 0183
COURSE DETECTION:	Better than 1 degree	SENSITIVITY:	0 To 10 degrees
CDRIVE OUTPUT CURRENT:	Std. 15 Amps	CDRIVE PORTS:	COMPASS, NMEA, Remote, Display
WORKING MODES:	Manual (Manual Steering), Auto (Autopilot Engaged), GPS (from GPS Plotter)		

SUPPORT

Benefit from over 40 years of local product support. TMQ equipment is backed with a 2 year warranty*. Warranty is extended to 3 years when the item is registered with TMQ.

