

# THERMAL CAMERAS



SAILING



CRUISING



FISHING

Teledyne-FLIR maritime thermal imaging cameras turn night into day, keeping you safe and secure and letting you boat with confidence. From small boats to superyachts, FLIR offers leading-edge thermal cameras that are rugged, reliable and straightforward to use.



## AX8

Keep a watchful eye on such critical equipment as engines, exhaust manifolds, and shaft bearings to spot problems before they leave you stranded on the water.



## M232

Our smallest and most affordable pan and tilt marine thermal night vision camera. Using our latest generation Boson™ thermal core, the M232 lets boaters see at night in 320 x 240 thermal resolution and also features 2x digital zoom.



## M300 SERIES

The M300 Series sets a new standard for safe marine navigation and situational awareness. Applying enhanced stabilization technology to high-performance visible, thermal, or multispectral imaging, M300 Series marine cameras deliver unwavering vision in high-stakes environments.

**Nautical Supplies are an Authorised Service Dealer for Raymarine**



[www.nauticalsupplies.com.au](http://www.nauticalsupplies.com.au)

### Nautical Supplies Darwin:

80 Frances Bay Road, Darwin, NT  
PO Box 37671, Winnellie, NT 0821

T: 08 8981 6651 | F: 08 8941 0251

E: [Sales@nauticalsupplies.com.au](mailto:Sales@nauticalsupplies.com.au)

### Nautical Supplies Cairns:

16 Liberty Street,  
Portsmouth, QLD, 4870

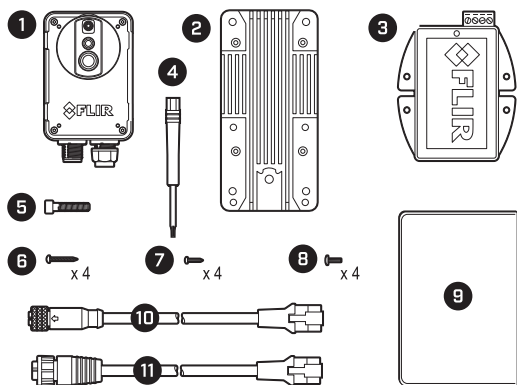
T: 07 4050 0090

E: [CairnsSales@nauticalsupplies.com.au](mailto:CairnsSales@nauticalsupplies.com.au)

# THERMAL CAMERAS



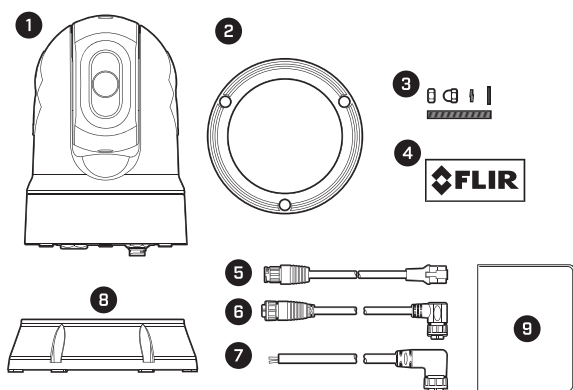
## AX8: IN THE BOX



1. AX8 thermal camera
2. Cooling bracket
3. PoE injector (Refer to the 'Potential ignition source' warning)
4. T6 Torx driver
5. 1 x 1/4" – 20 x 30 mm Hex bolt (for fitting cooling bracket to the optional mounting bracket: R70375.)
6. 4x No.6 x 25 mm screws (for surface mounting cooling bracket / camera assembly)
7. 4x PT 22x8 T6 torx screws (to fit cooling bracket to camera.)
8. 4x 10–32UNF 1/2" hex bolts (for fitting cooling bracket to the optional RAM® mount 261–2288–00)
9. Documentation
10. 5 m (16.4 ft) Ethernet cable (M12 X–coded to RJ45) (for connecting camera to PoE injector)
11. 3 m (9.84 ft) RayNet to RJ45 adaptor cable (for connecting PoE injector to Raymarine MFD or network switch)



## M2XX SERIES: IN THE BOX



1. Thermal camera
2. Thermal camera base-seal
3. 3 x thermal camera fasteners: nuts, dome nuts, spring washers, flat washers, and threaded studs
4. 2 x Self-adhesive decals (for ball-down mounting only)
5. RayNet-to-RJ45 adapter cable (100 mm)
6. Right-angled RayNet-to-RayNet cable (10 m)
7. Right-angled 3-pin power cable (10 m)
8. Top-down riser kit (includes riser, riser base seal, and riser mounting template)
9. Documentation pack

**Nautical Supplies are an Authorised Service Dealer for Raymarine**



[www.nauticalsupplies.com.au](http://www.nauticalsupplies.com.au)

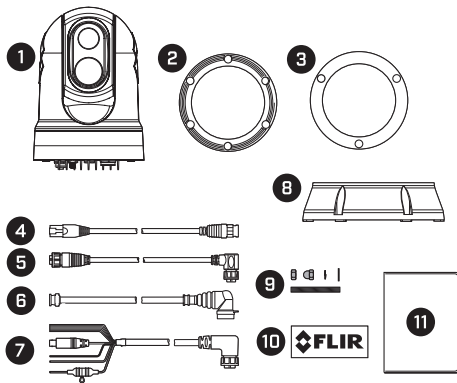
**Nautical Supplies Darwin:**  
 80 Frances Bay Road, Darwin, NT  
 PO Box 37671, Winnellie, NT 0821  
**T:** 08 8981 6651 | **F:** 08 8941 0251  
**E:** Sales@nauticalsupplies.com.au

**Nautical Supplies Cairns:**  
 16 Liberty Street,  
 Portsmith, QLD, 4870  
**T:** 07 4050 0090  
**E:** CairnsSales@nauticalsupplies.com.au

# THERMAL CAMERAS

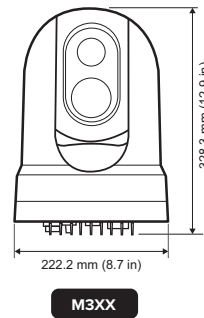
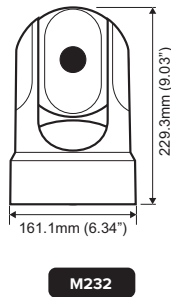
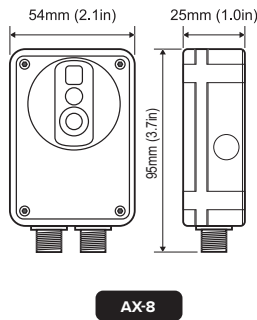


## M3XX SERIES: IN THE BOX



1. M300 Camera
2. Camera base-seal
3. Camera gasket
4. RayNet-to-RJ45 adaptor cable 120 mm (4.72 in.)
5. Right-angled RayNet-to-RayNet cable 3 m (9.8 ft.)
6. Right-angled HD-SDI video cable (with BNC connectors) 3 m (9.8 ft.)
7. Right-angled power/NMEA 0183/video cable 3 m (9.8 ft.)
8. Mounting riser
9. 3x camera fixings: nuts, dome nuts, spring and flat washers, threaded studs
10. 2 x self-adhesive decals (for ball-down mounting only)
11. Documentation pack

← (mm / in.) →



**Nautical Supplies are an Authorised Service Dealer for Raymarine**



[www.nauticalsupplies.com.au](http://www.nauticalsupplies.com.au)

**Nautical Supplies Darwin:**  
80 Frances Bay Road, Darwin, NT  
PO Box 37671, Winnellie, NT 0821  
**T:** 08 8981 6651 | **F:** 08 8941 0251  
**E:** [Sales@nauticalsupplies.com.au](mailto:Sales@nauticalsupplies.com.au)

**Nautical Supplies Cairns:**  
16 Liberty Street,  
Portsmouth, QLD, 4870  
**T:** 07 4050 0090  
**E:** [CairnsSales@nauticalsupplies.com.au](mailto:CairnsSales@nauticalsupplies.com.au)